



**CASE**  
CONSTRUCTION

# C SERIES - STAGE V GRADER



836C | 836C AWD | 856C | 856C AWD

# ACROSS HISTORY



**1842**

CASE is founded.

**1867**

Eisenwerk Gebruder Frisch KG was founded.

**1926**

Road building equipment production.

**1934**

The First Frisch grader is also the first european motor grader.

**1936**

Dedicated Frisch road building plant in Kissing.

**1967**

First automatic blade guidance based on ultrasonic system.

**1970**

Articulated frame introduction.

**1972**

AWD introduction.

**1977**

Frisch company acquired by Faun.

**1982**

Encapsulated slewing ring introduction.

**1986**

Faun grader operations acquired by Orenstein and Koppel (O&K).

**1996**

Load Sensing hydraulic system introduction and grader production moved to Berlin.

**2000**

High visibility engine hood design introduction.

**2005**

FPT engines introduction and 6 cylinder installation on 13 t grader.

**2010**

All around visibility cab introduction.

**2013**

Low Profile cab introduction.

**2015**

CASE branded graders enter the European Market.

**2020**

Case launches EU Stage V.

**2023**

Case launches their first Joystick controlled Grader

# YOUR BUSINESS PARTNER CONTINUES TO IMPROVE

## CASE C-SERIES GRADER

Since their launch in 1934 our Graders mission was always to fit into your needs. Our Graders where the first which had automatic blade guidance equipped, has - since 40 years - the best in class all wheel drive, a powerful FPT Stage V engine with it's unbeaten Hi-eSCR technology and are still keeping the time for the daily maintenance operations as short as possible thanks to features like capsuled slewing ring and easy to reach main check points.

Over the decades our Grader won't be only a good Partner for working, it wants also to follow you wherever you are and for that reason we introduced in 2013 our Low-Profil cab which had made transporting a Grader never easier.

And since 2023 we are giving the choice of how to control your Grader into your hand. As we are now offering additional to our well know directly mounted mechanical controls also the **NEW** 3-axis Joysticks which are as precise as the mechanical controls but giving now also the possibility to comfortable drive the Grader.

And as it is in our veins to never stop, it is also in our Graders to always be the best. From now on, our Grader will no longer only be your tool for working, it will be your hand on the ground.

Let's **TAKE CONTROL!**



# POWER TO THE GROUND

## LOW EMISSIONS

### *FPT Stage V*

To maintain the advantages of the unique and unbeaten HI-eSCR technology, FPT Industrial integrated a maintenance free device on its SCR catalyst, thus allowing to comply with tightened limits on PM emissions within a compact package. This allows for a very compact engine compartment, resulting in excellent rear visibility. In addition, the maximum temperature reached during normal operating conditions by HI-eSCR 2 is still on average 200° C below a traditional particulate filter.

FPT's Stage V Solution:

- + High Performance
- + Low Operating Costs
- + Ease of Use

## DUAL POWER CURVE

### *Get more productive at higher speed*

The engine is completely application-engineered to power motor graders which require fast torque response to keep high productivity levels. For even higher performances the Dual Power maximizes operation at higher speed thanks to the power curve flattening from 4th gear.

## SAFE AND EASY MAINTENANCE

### *Never so undemanding*

Daily maintenance operations have never been so undemanding: all the main check points, on the left hand side of the machine, are easily reachable from ground level. The tandem mudguards are conceived to be the most functional and safer places to fulfil periodical maintenance operations like the air filter cleaning or the oil refill. The smallest aftertreatment package in the market doesn't impact the engine layout sharpness: the emergency maintenance operations will then be faster and less expensive.



HI-eSCR2



# CLEAN POWER, MAXIMISED PRODUCTIVITY



## ERGOPOWER TRANSMISSION WITH TORQUE CONVERTER

### *Jerk free shifting*

The automatic shifting function eases the operator concentration and optimizes the machine performances letting the grader engine work on the most productive area of the power curve. The function combined with the torque converter never reaches the power unit stall, making the real difference from competitors in the grader sector. 100% automatic diff. Lock: the automatic «no-Spin» differential instantaneously transfers the torque from the slipping tyre to the wheel with better grip. The system doesn't require any driver intervention allowing the operator to be focused on the blade movement control.



## AWD WITH CREEP MODE DRIVE

### *Precise at any speed*

Creep mode on AWD models: 2 machines in one, the hydrostatic creep mode makes the front speed virtually independent from the engine revolutions: therefore the grader can be used in compaction application reducing the overall fleet deployed in road construction. Independently from the transmission chosen, 4 WD or 6WD, the 836C can be also equipped with 24" tyres: the ideal solution on uneven soils and when a low tyre bumping effect is required.

# REVOLUTIONARY TECHNOLOGY

## ROLLER MOUNTED ENCAPSULATED SLEWING RING

### *Zero friction engineering solutions*

Moldboard design revolutionizes and maximizes controllability: very low friction developed during operation, jolt-free high rotation torque for a very smooth and accurate blade rotation and steadiness.

The slewing ring is mounted on roller bearings activated by internal gearing avoiding backlash, wear and supporting high mechanical strain.

The exclusive moldboard design, with fewer greasing points, reduces the daily maintenance drastically.

During the machine service life, periodical substitution of wear inserts is not required cutting down overall maintenance costs.



## “A-SHAPE” FRAME

### *Stress free stucture*

The “A-Shape” structure constantly compensates the efforts while working. The typical lateral stress on off-set position are virtually elimates for longer operating life. The saddle can be hydraulically set on 5 different positions very easily thanks to a pin lock system; the exclusive moldboard geometry enables the operator to rotate the blade over 90° for each working side without any mechanical interference.

## MULTI-RADIUS BLADE

### *Easy material rolling*

The infinitely variable radius blade reduces the traction effort, and in finishing operations improves the material mixing effect.

# SITECONTROL PREDISPOSITION



## BLADE CONTROL SET UP

### *Flexible performance*

The CASE “800 series” grader can be equipped from factory completely prepared for the most commonly used blade control solutions. The unit is delivered to the customer with the basic, cables and supports. It’s a real “plug and play” solution: the customer has just to install the specific additional sensors needed for 2D or 3D blade control together with the display in the cabin and the blade control system is ready to work. The SiteControl preparation kit is compatible with different types of blade control systems: Sonic, Laser, GPS or Universal Total Station. The automatic blade control system allows even a less skilled operator to get a higher and more constant output from the CASE Grader, this helps to get the job done faster meaning fewer passes and always the right amount of material moved. Also an experienced operator will benefit from the system and is able to work faster and more independently. Consequently, grader operational costs which involves fuel, machine hours and maintenance are reduced. With a CASE SiteControl preparation each customer can easily switch components from an other construction machine. Allowing components to be used wherever they are needed and have maximum utilization of the investment. The installation of main components in factory provides an easier accessibility and consequently faster maintenance service: this is a guarantee of high manufacturing standard.







# EXTREME PRECISION

## LOAD SENSING HYDRAULIC SYSTEM

### *Flow at your fingertip*

The new CASE graders have the most precise hydraulic circuit in the market. With highly responsive and precise controls, the load sensing hydraulics make any operation easy and smooth. A directly activated axial piston pump delivers only the required amount of oil where it is needed, avoiding any power waste. The Control valves provide pressure compensation enabling the moldboard to be lifted or lowered in parallel. A dedicated switch installed on the cab floor allows the operator to obtain maximum output from the hydraulic circuit, independently from the engine revolutions, for faster reactions (Full Flow mode).

## DIRECT MOUNTED LEVERS ON MECHANICAL CONTROLLED MODELS

### *Banning power waste, spinning productivity*

The exclusive hydraulic block, directly controlled, reduces any lever free play over the entire grader life, meanwhile the operator can benefit from a direct feed-back of the hydraulic system increasing the working accuracy. The float function, available as an option, lets the oil flow unobstructedly in the cylinders so to let the moldboard naturally follow the ground contour. Independently from CASE certified high quality components, this exclusive hydraulic system has been conceived to ensure always unbeatable performances, fuel saving, reliability and grader controllability.





## **JOYSTICK CONTROLS ON EH MODELS**

### ***Choose your preferred controls***

CASE Grader are now also available with the **NEW** 3-axis electro-hydraulic joystick controls.

The **NEW** joystick-controlled Case Graders are equipped with dedicated setting switches on the side console, which let each operator rapidly and easily obtain the desired setting level.

## **NEW JOYSTICKS**

### ***Easy, comfortable and precise***

The two **NEW** 3-axis joysticks are as precise as the lever of the mechanical controlled Graders and giving the operator now not only an intuitive way to work with the Grader, but also an ergonomically way to drive the Grader.

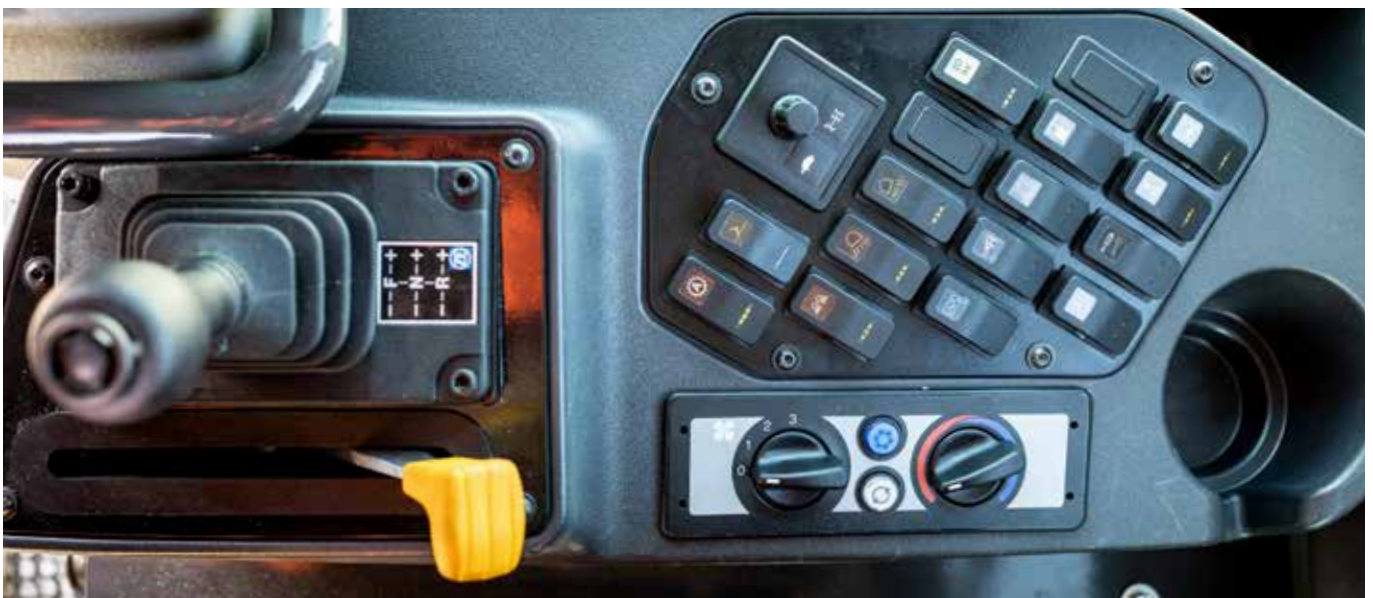
And with the **NEW** joystick steering there is no need to take the hand of the controls anymore, even at the hardest maneuvers. Just sit relaxed in the seat and enjoy the advantages of comfort, easiness and precision the whole day long.

## NEW FEATURES (ONLY EH-MODEL)

### *Work, drive, be productive*

Together with the **NEW** Joystick controls CASE introduce three awesome features, TwinLift, Combined Steering and Comfort Steering

- + **NEW** TwinLift: Operate both Moldboard Lift cylinders just with one joystick for more comfort.
- + **NEW** Combined Steering: Wheel steering, frame articulation and wheel lean are operating simultaneously together for a shorter turning radius.
- + **NEW** Comfort Steering: Change the ratio of the steering wheel turns lock-to-lock for more precision



# COMFORT RULES

## REAR MOUNTED CAB

### *Aligned with performance*

The rear mounted ROPS/FOPS cab offers a highly valuable advantage in comfort and convenience:

- + Operators are aware of the articulation angle at all times
- + The rear located cab improves visibility on the moldboard
- + The cab weight carried on the rear frame emphasizes the machine traction
- + Pneumatic and heated seat offered as a standard strengthens operator well-being at work

The wide tinted glass mounted on the front and on the side of the cab provides unobstructed all-around visibility. Even when the driver is working seated, he can have full moldboard visibility till its heel angle. The safety too is improved:

- + The rear-view camera guarantees a safer rear visibility and an excellent operator comfort. The driver doesn't have to turn back anymore when he has to drive the machine backward.
- + Any obstacle can be easily recognized from a quick look at the wide 7" color screen.

## LOW CAB PROFILE

### *A new Cabin equipped with all "mod cons"*

Finally, CASE offers an elegant low profile cab on its graders providing best-in class comfort and visibility while reducing the machine's total height of 180mm, so that there are no transport limitations.



# THE ART OF VERSATILITY

## HIGH VERSATILITY

### *Tools for every task*

CASE graders can be completed with a wide variety of fittings making them suitable for a great number of applications:

- + 3 customizable moldboard widths for each model to easily adapt the pushing power to different material density and working conditions
- + Different Moldboard extensions for better lateral material retention in fine grading
- + Moldboard overload clutch to preserve frame and moldboard from any unexpected collision, recommended in forestry applications
- + Moldboard scarifier for easier light soil preparation in a single pass
- + 5 teeth ripper to better scarify the sturdier soil roots
- + Front blade for faster dozing operations and for improved productivity in combination with the central blade thanks to the engine power high level
- + Specific front counterweight: better machine balance and higher tractive effort
- + Rear hydraulic set up providing the right oil flow for additional implements such as compactors, it represents the ideal combination with the exclusive creep mode
- + Fuel tank refill pump: easier daily tank refill in any working environment
- + Additional LED lights packages:
  - on the rear counterweight
  - on the lower part of the cab for higher light intensity on the moldboard



# PERSONAL ASSISTANT FOR FLEET MANAGEMENT

## THE SCIENCE BIT

The CASE SiteWatch telematics system uses a high-tech control unit mounted on each machine to collate information from that machine and from GPS satellites. This data is then sent wirelessly through the mobile communication networks to the CASE Telematics Web Portal.

## SITWATCH: CENTRALISED FLEET CONTROL BENEFITS AT YOUR FINGERTIPS

### ***Measure your true asset availability and optimise it***

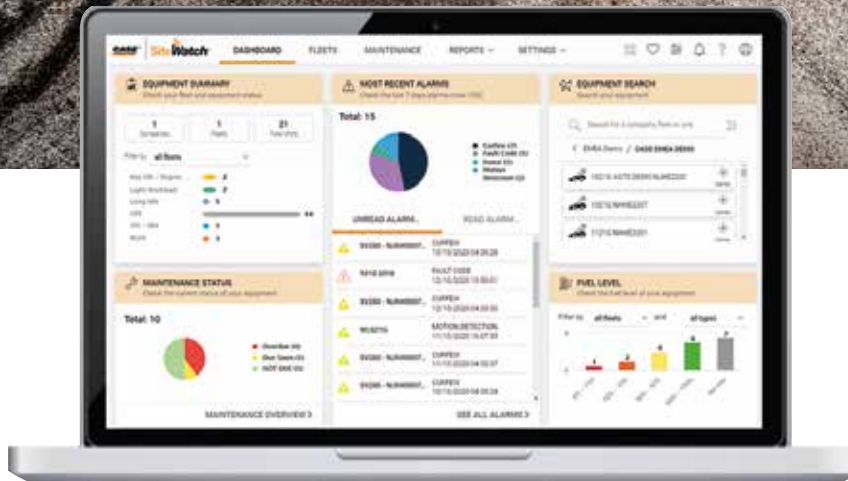
- + Eliminate the “phantom fleet”: SiteWatch allows to identify spare units or under loaded machines on each site.
- + Become able to reallocate units where they are more needed.
- + Forward maintenance planning is easier since the actualised working hours are always available.
- + Extend the benefits of SiteWatch to the rest of your fleet: SiteWatch can be installed on the units of other brands as well.

### ***Challenge your Total Cost of Ownership!***

- + Being able to compare the fuel usage of different machine types will allow you choose the right equipment.
- + Save on transport costs with planned and grouped maintenance tasks.
- + Peace of mind, optimised uptime and lower repair costs: with preventive maintenance you can for example be alerted if the engine needs to be serviced and avoid disruptive breakdown.
- + Be able to compare your asset Return on Investment on different sites.
- + Your equipment is used only during working hours. You can set up alerts so that you know if it is in use during the weekend or at night.
- + Integrate with the programmed maintenance package, which ensures the required services are performed at the right time.

### ***More safety, lower insurance premium***

- + Keep thieves away: dissuade them from attacking your asset because it is geo-localised. SiteWatch is hidden so that thieves can't find it quickly.
- + Your fleet is used only where you decide. You can define a virtual fence and receive an email when a machine exits that perimeter.



# MAIN REASONS TO CHOOSE THE C-SERIES

## HIGH VERSATILITY

The wide variety of options offers, to any customer, the possibility to create a tailored grader suitable for the most demanding applications.

## LOAD SENSING HYDRAULIC SYSTEM

The balanced flow for all applications and for simultaneous moldboard movements.

## SAFE AND EASY MAINTENANCE

The easy serviceability is part of CASE DNA: all the main checks can be easily performed from the wide and safe tandem fenders; all the service points are conveniently grouped and positioned.

## «A-SHAPE» FRAME

An optimized effort distribution in any condition ensures long operating life.

## BLADE CONTROL PREPARATION

Leading brands plug and play blade control system.

## MULTI-RADIUS BLADE

Lower power absorption and optimized rolling effect.

## ROLLER MOUNTED, ENCAPSULATED SLEWING RING

Maintenance free technology and effortless moldboard rotation.

## LOW EMISSIONS

- + With the advanced, unique and unbeaten «HI-eSCR» technology, up to the new Stage V.
- + Additional maintenance free device on its SCR catalyst, allows to comply the tightened limits on PM
- + Low fuel consumption at full power

## LOW PROFILE CAB

Less 180 mm transport height / transport on trucks below 4 mt.

## REAR MOUNTED CAB

Best in class controllability and comfort: the operator is always in line with the working direction.





### **DIRECT MOUNTED LEVERS ON MECHANICAL CONTROLLED MODELS**

Better moldboard control over the years, no free play between levers and main control valve

### **NEW JOYSTICK CONTROLS ON EH MODELS**

Boosting Productivity feature like Joystick controls with Twin Lift and Joystick Steering with combined and comfort steering.

### **ERGOPOWER TRANSMISSION WITH TORQUE CONVERTER**

Smooth shifting for perfect controllability and automatic mode for stress-free operations.

### **AWD WITH CREEP MODE DRIVE**

Full traction in any condition and optimized torque transfer adapted to operator needs.

### **DUAL POWER CURVE**

Higher power rate at high speed (4th gear) increases the grader productivity.



# 836C - 836C AWD

## SPECIFICATIONS

### ENGINE STAGE V "Hi-eSCR2"

Maximum Power (ISO 14396/ECE R120)  
 From 1st to 3rd gear \_\_\_\_\_ 102 kW/138 hp  
 From 4th to 6th gear \_\_\_\_\_ 115 kW/156 hp  
 Governed \_\_\_\_\_ 2100 rpm  
 Make & model \_\_\_\_\_ FPT N67 NEF 6 cyl.  
 Aftertreatment system \_\_\_\_\_ DOC+SCRoF  
 Donaldson air filter with dust ejector \_\_\_\_\_ std  
 Type \_\_\_\_\_ diesel, common rail, dual power,  
 turbocharged and intercooler  
 Displacement \_\_\_\_\_ 6.7 l  
 Number of cylinders \_\_\_\_\_ 6  
 Bore & stroke \_\_\_\_\_ 104x132 mm  
 Maximum torque at 1400 rpm \_\_\_\_\_ 725 Nm  
 Remote engine oil filter for easy replacement  
 - 25°C outside temperature start as standard equipment.  
 The engine complies with (EU) 2016/1628  
 regulations STAGE V.

### TORQUE CONVERTER

Single-stage torque converter integrated into shift gearbox  
 Automatic matching of output torque to changing travel  
 conditions  
 Converter ratio \_\_\_\_\_ 1.87: 1  
 Cooling by heat exchanger

### TRANSMISSION

Full powershift transmission with 6 forward and 3 reverse  
 gears.  
 Electric single-lever shift with reverse-lock in ranges 3-6.

Speeds in km/h

GEAR	FORWARDS	REVERSE
1.	5.4	5.7
2.	8.3	13.3
3.	12.6	29.2
4.	19.2	-
5.	27.9	-
6.	39.9	-

Tractive effort (adherence coefficient 0.8)

836C \_\_\_\_\_ 66 kN  
 836C AWD \_\_\_\_\_ 85 kN

### AXLE FRONT

Oscillating axle with wheel spindle steering and hydraulic  
 wheel lean adjustment

	836C	836C AWD
Axle oscillation	± 15°	± 15°
Wheel lean	± 21.45°	± 21.45°
Ground clearance	485 mm	485 mm

### AXLE REAR TANDEM

CASE tandem grader axle with automatic  
 No-Spin differential  
 Oscillating tandem drives with heavy-duty roller chains  
 Planetary reduction  
 Oscillation \_\_\_\_\_ ± 15°  
 Tandem box dimensions:  
 Height \_\_\_\_\_ 599 mm  
 Width \_\_\_\_\_ 201 mm  
 Wall thickness \_\_\_\_\_ 20 mm  
 Chain pitch \_\_\_\_\_ 50.8 mm  
 Tandem wheelbase \_\_\_\_\_ 1241 mm

### ALL WHEEL DRIVE

Selectable in addition to the hydrodynamic rear-wheel  
 drive. Hydrostatic front-wheel drive with E.D.C.V.  
 (Electronic Drive Control Volume). A bi-directional swash  
 plate pump (forward/reverse) drives wheel-hub mounted  
 motors in each of the front wheels. Hydraulic No-Spin  
 differential prevents one-sided wheel spin and proportions  
 torque when cornering. A microprocessor monitors and  
 matches front- and rear-wheel drive forces. A stepless  
 switch allows the operator to adapt front-wheel thrust to  
 existing job conditions. Creep mode as standard: front  
 traction only, for ultra low machine speed.

### BRAKES

Hydraulic, dual-circuit accumulator pump braking with 4 oil  
 bath disc brakes acting on tandem-wheels. Parking brake:  
 disc brake acting on transmission.

### STEERING

Operated from the adjustable steering and control console.  
 Front-wheel spindle steering, all hydraulic, volume control.

	836C	836C AWD
Steering wheel lock. left/right	40°	40°
Articulated frame with 2 double-flow steering cylinders: Articulation angle	± 28°	± 28°
Minimum turning radius: across tyres	6600 mm	6800 mm
across front blade	7300 mm	7600 mm

### TYRES

405/70 R20 SPT9 Dunlop  
 420/75 R20 XMCL TL Michelin  
 455/70 R20 SPT9 Dunlop  
 405/70 R24 SPT9 Dunlop



XMCL MICHELIN

SPT9 DUNLOP

## MOLDBOARD CONTROL

“Load Sensing” for maximising functions controllability. Control levers for precision metering of adjustment speed. Pressure compensation in each of the control valve units permits parallel moldboard lifting or simultaneous operation of two other functions, with no disruptive interaction. A pedal allows the operator to switch to max. output for faster functioning (Full Flow Mode). Unlockable check valves maintain lift/cutting angles and wheel lean cylinders constant.

## A-FRAME

Robust welded box section A-frame.  
L-profile cross section \_\_\_\_\_ 125x120x8 mm

## SLEWING RING

Internal gearing, sealed roller-mounted, backlash-free, self-adjusting  
Driven by hydraulic motor and moldboard mechanism  
Diameter \_\_\_\_\_ 1150 mm  
Action radius \_\_\_\_\_ 360°

## MOLDBOARD

Multiradius wear-resistant, high-grade steel with hardened rounded guides. Replaceable, split main and side blades.  
Width \_\_\_\_\_ 2440/3050/3355 mm  
Blade height/thickness \_\_\_\_\_ 526/15 mm  
Cutting edge height/thickness \_\_\_\_\_ 152/19 mm  
Bolt diameter \_\_\_\_\_ 16 mm

## MOLDBOARD SETTINGS

Shifting:  
to the right \_\_\_\_\_ 491 mm  
to the left \_\_\_\_\_ 708 mm  
Reach across tyres w/o articulated steering:  
right horizontal \_\_\_\_\_ 1865 mm  
left horizontal \_\_\_\_\_ 1525 mm  
Reach across tyres with articulated steering:  
right horizontal \_\_\_\_\_ 2490 mm  
left horizontal \_\_\_\_\_ 2150 mm  
Max. slope angle:  
right \_\_\_\_\_ 117°  
left \_\_\_\_\_ 76°  
Max. lift height above ground \_\_\_\_\_ 394 mm  
Max. scraping depth \_\_\_\_\_ 456 mm  
Cutting angle adjustment, hydr \_\_\_\_\_ 49.5°

## HYDRAULIC SYSTEM

“Load Sensing” with variable displacement axial piston pump. Zero oil delivery under no-function conditions and hence power savings. Closed system with pressurised tank. Pressure relief valve.  
Hydraulic pump \_\_\_\_\_ swash plate, variable displacement  
Max delivery \_\_\_\_\_ 94.5 l/min  
Max pressure \_\_\_\_\_ 200 bar  
Pressure relief setting \_\_\_\_\_ 215 bar

## FRAME

Front frame: stiff, welded section from high-strength, fine-grain steel  
Cross-section \_\_\_\_\_ 270 x 270 mm  
Wall thickness \_\_\_\_\_ 12 mm  
Rear frame \_\_\_\_\_ torsion resistant frame  
Cross-section \_\_\_\_\_ 220 x 260 mm

## CAB

Elastically mounted, noise insulated ROPS/FOPS cab with two swinging doors. Either side access. Tinted glass. Rear-frame mounted cab. Heater/defroster nozzles. Heated and Air Suspended seat.  
Low profile Cab option reducing overall grader height by 180 mm.  
ROPS according to EEC sample testing \_\_\_\_\_ ISO 3471  
FOPS according to EEC sample testing \_\_\_\_\_ ISO 3449  
Cab noise level \_\_\_\_\_ 75 dbA  
External noise level \_\_\_\_\_ 99 dbA

## ELECTRICAL SYSTEM

Voltage \_\_\_\_\_ 24 V  
Batteries \_\_\_\_\_ 2 x 100 Ah  
Alternator \_\_\_\_\_ 90 A  
Starter \_\_\_\_\_ 4 kW

## CAPACITIES

Lube oil \_\_\_\_\_ 12.5 l  
Coolant (Including: cooler and Heater) \_\_\_\_\_ 32.0 l  
Transmission (including converter and cooling) \_\_\_\_\_ 27.0 l  
Axle gear \_\_\_\_\_ 31.0 l  
Tandem \_\_\_\_\_ 120.0 l  
Worm gear \_\_\_\_\_ 2  
Hydraulic tank \_\_\_\_\_ 70.0 l  
Hydraulic oil, total:  
836C \_\_\_\_\_ 170.0 l  
836C AWD \_\_\_\_\_ 185.0 l  
Fuel tank \_\_\_\_\_ 278.0 l  
AdBlue tank \_\_\_\_\_ 54 l

# 856C - 856C AWD

## SPECIFICATIONS

### ENGINE STAGE V "Hi-eSCR2"

Maximum Power (ISO 14396/ECE R120)  
 From 1st to 3rd gear \_\_\_\_\_ 129 kW/173 hp  
 From 4th to 6th gear \_\_\_\_\_ 142 kW/190 hp  
 Governed \_\_\_\_\_ 2100 rpm  
 Make & model \_\_\_\_\_ FPT N67 NEF 6 cyl.  
 Aftertreatment system \_\_\_\_\_ DOC+SCRoF  
 Donaldson air filter with dust ejector \_\_\_\_\_ std  
 Type \_\_ diesel, common rail, dual power, turbocharged  
 and intercooler  
 Displacement \_\_\_\_\_ 6.7 l  
 Number of cylinders \_\_\_\_\_ 6  
 Bore & stroke \_\_\_\_\_ 104x132 mm  
 Maximum torque at 1400 rpm \_\_\_\_\_ 850 Nm  
 Remote engine oil filter for easy replacement  
 - 25°C outside temperature start as standard equipment  
 The engine complies with (EU) 2016/1628 regulations STAGE V.

### TORQUE CONVERTER

Single-stage torque converter integrated into shift gearbox  
 Automatic matching of output torque to changing travel  
 conditions  
 Converter ratio \_\_\_\_\_ 1.91: 1  
 Cooling by heat exchanger

### TRANSMISSION

Full powershift transmission with 6 forward and 3 reverse  
 gears.  
 Electric single-lever shift with reverse-lock in ranges 3-6.

Speeds in km/h

GEAR	FORWARDS	REVERSE
1.	5.0	5.4
2.	7.7	12.6
3.	11.8	27.9
4.	17.9	-
5.	26.0	-
6.	38.0	-

Tractive effort (adherence coefficient 0.8)  
 856C \_\_\_\_\_ 95 kN  
 856C AWD \_\_\_\_\_ 117 kN

### AXLE FRONT

Oscillating axle with wheel spindle steering and hydraulic  
 wheel lean adjustment

	856C	856C AWD
Axle oscillation	± 15°	± 15°
Wheel lean	± 20.3°	± 20.3°
Ground clearance	554 mm	554 mm

### AXLE REAR TANDEM

CASE tandem grader axle with automatic  
 No-Spin differential  
 Oscillating tandem drives with heavy-duty roller chains  
 Planetary reduction  
 Oscillation \_\_\_\_\_ ± 15°  
 Tandem box dimensions:  
 Height \_\_\_\_\_ 590 mm  
 Width \_\_\_\_\_ 199 mm  
 Wall thickness \_\_\_\_\_ 20 mm  
 Chain pitch \_\_\_\_\_ 50.8 mm  
 Tandem wheelbase \_\_\_\_\_ 1572.6 mm

### ALL WHEEL DRIVE

Selectable in addition to the hydrodynamic rear-wheel  
 drive. Hydrostatic front-wheel drive with E.D.C.V.  
 (Electronic Drive Control Volume). A bi-directional swash  
 plate pump (forward/reverse) drives wheel-hub mounted  
 motors in each of the front wheels. Hydraulic No-Spin  
 differential prevents one-sided wheel spin and proportions  
 torque when cornering. A microprocessor monitors and  
 matches front- and rear-wheel drive forces. A stepless  
 switch allows the operator to adapt front-wheel thrust to  
 existing job conditions. Creep mode as standard: front  
 traction only, for ultra low machine speed.

### BRAKES

Hydraulic, dual-circuit accumulator pump braking with 4 oil  
 bath disc brakes acting on tandem-wheels. Parking brake:  
 disc brake acting on transmission.

### STEERING

Operated from the adjustable steering and control console.  
 Front-wheel spindle steering, all hydraulic, volume control.

	856C	856C AWD
Steering wheel lock. left/right	42.5°	42.5°
Articulated frame with 2 double-flow steering cylinders: Articulation angle	± 28°	± 28°
Minimum turning radius: across tyres	7300 mm	7300 mm
across front blade	8100 mm	8000 mm

### TYRES

17.5 R25 XHA Michelin (transport width<2500 mm)  
 17.5 R25 XTLA G2 Michelin  
 17.5 - 25 EM SGL TL Goodyear (transport width<2500 mm)



XHA MICHELIN

XTLA MICHELIN

SLG GOODYEAR

## MOLDBOARD CONTROL

“Load Sensing” for maximising functions controllability. Control levers for precision metering of adjustment speed. Pressure compensation in each of the control valve units permits parallel moldboard lifting or simultaneous operation of two other functions, with no disruptive interaction. A pedal allows the operator to switch to max. output for faster functioning (Full Flow Mode). Unlockable check valves maintain lift/cutting angles and wheel lean cylinders constant.

## A-FRAME

Robust welded box section A-frame.  
L-profile cross section \_\_\_\_\_ 140x140x10 mm

## SLEWING RING

Internal gearing, sealed roller-mounted, backlash-free, self-adjusting  
Driven by hydraulic motor and moldboard mechanism  
Diameter \_\_\_\_\_ 1350 mm  
Action radius \_\_\_\_\_ 360°

## MOLDBOARD

Multiradius wear-resistant, high-grade steel with hardened rounded guides. Replaceable, split main and side blades.  
Width \_\_\_\_\_ 3350/3665/3960 mm  
Blade height/thickness \_\_\_\_\_ 603/20 mm  
Cutting edge height/thickness \_\_\_\_\_ 152/19 mm  
Bolt diameter \_\_\_\_\_ 16 mm

## MOLDBOARD SETTINGS

Shifting:  
to the right \_\_\_\_\_ 755 mm  
to the left \_\_\_\_\_ 645 mm  
Reach across tyres w/o articulated steering:  
right horizontal \_\_\_\_\_ 2375 mm  
left horizontal \_\_\_\_\_ 1685 mm  
Reach across tyres with articulated steering:  
right horizontal \_\_\_\_\_ 3135 mm  
left horizontal \_\_\_\_\_ 2545 mm  
Max. slope angle:  
right \_\_\_\_\_ 100°  
left \_\_\_\_\_ 112°  
Max. lift height above ground \_\_\_\_\_ 480 mm  
Max. scraping depth \_\_\_\_\_ 500 mm  
Cutting angle adjustment, hydr \_\_\_\_\_ 50°

## HYDRAULIC SYSTEM

“Load Sensing” with variable displacement axial piston pump. Zero oil delivery under no-function conditions and hence power savings. Closed system with pressurised tank. Pressure relief valve.  
Hydraulic pump \_\_\_\_\_ swash plate, variable displacement  
Max delivery \_\_\_\_\_ 126 l/min  
Max pressure \_\_\_\_\_ 200 bar  
Pressure relief setting \_\_\_\_\_ 215 bar

## FRAME

Front frame: stiff, welded section from high-strength, fine-grain steel  
Cross-section \_\_\_\_\_ 300 x 300 mm  
Wall thickness \_\_\_\_\_ 20 mm  
Rear frame \_\_\_\_\_ torsion resistant frame  
Cross-section \_\_\_\_\_ 260 x 90 mm

## CAB

Elastically mounted, noise insulated ROPS/FOPS cab with two swinging doors. Either side access. Tinted glass. Rear-frame mounted cab. Heater/defroster nozzles. Heated and Air Suspended seat.  
Low profile Cab option reducing overall grader height by 180 mm.  
ROPS according to EEC sample testing \_\_\_\_\_ ISO 3471  
FOPS according to EEC sample testing \_\_\_\_\_ ISO 3449  
Cab noise level \_\_\_\_\_ 75 dbA  
External noise level \_\_\_\_\_ 99 dbA

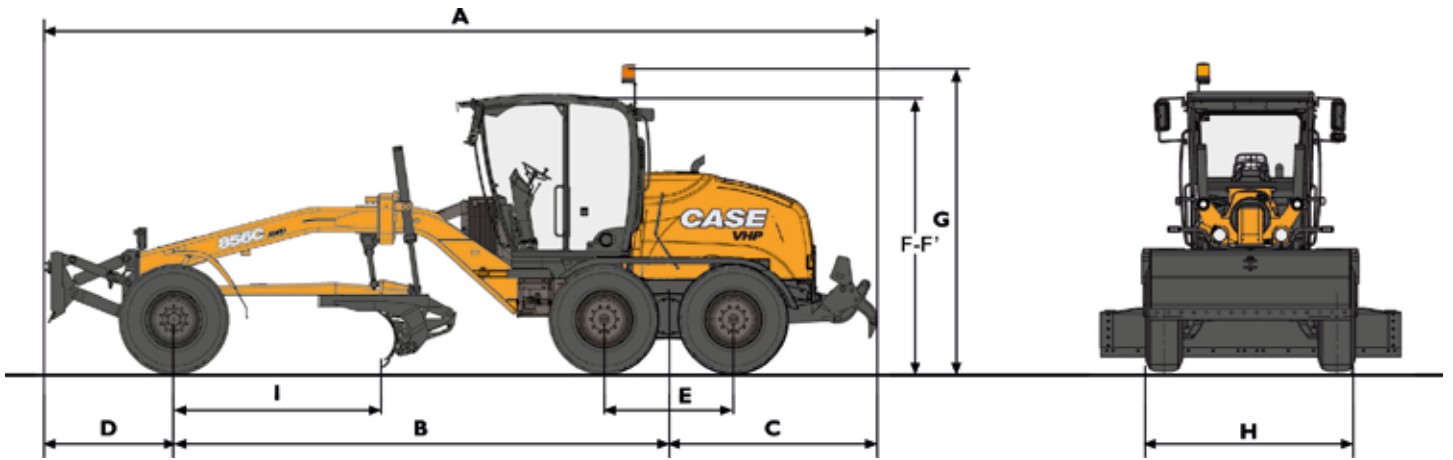
## ELECTRICAL SYSTEM

Voltage \_\_\_\_\_ 24 V  
Batteries \_\_\_\_\_ 2 x 100 Ah  
Alternator \_\_\_\_\_ 90 A  
Starter \_\_\_\_\_ 4 kW

## CAPACITIES

litres  
Lube oil \_\_\_\_\_ 12.5  
Coolant (Including: cooler and Heater) \_\_\_\_\_ 32.0  
Transmission (including converter and cooling) \_\_\_\_\_ 27.0  
Axle gear \_\_\_\_\_ 36.0  
Tandem \_\_\_\_\_ 128.0  
Worm gear \_\_\_\_\_ 2.5  
Hydraulic tank \_\_\_\_\_ 90.0  
Hydraulic oil, total:  
856C \_\_\_\_\_ 185.0  
856C AWD \_\_\_\_\_ 200.0  
Fuel tank \_\_\_\_\_ 278.0  
AdBlue tank \_\_\_\_\_ 54

# DIMENSIONS AND SPECIFICATIONS



MACHINE WITH:		836C	836C AWD	856C	856C AWD
Front & rear counterweight	kg	11701	12001	14976	15376
Front blade & rear c/w	kg	11805	12105	15140	15540
Front c/w & rear ripper	kg	12005	12305	15407	15807
Front blade & rear ripper	kg	12109	12409	15571	15971
Max. operating weight	kg	12500	12800	16250	16650

With low Profile Cab the weight is reduced by: 35 kg

836C, 836C AWD EQUIPPED WITH:		FRONT & REAR COUNTERWEIGHT	FRONT BLADE & REAR COUNTERWEIGHT	FRONT COUNTERWEIGHT & REAR RIPPER	FRONT BLADE & REAR RIPPER
A Total length	mm	7697	8372	8331	8961
B Wheelbase	mm			5351	
C Rear attachment end	mm	1605		1605	
D Front attachment end	mm	762	1436	762	1436
E Tandem base	mm			1241	
F Standard cab height	mm			3240	
F' Low profile cab height	mm			3060	
G Max machine height	mm			3586	
H Width over tyres	mm	2303			2360
I Blade base	mm			1997	

Dimensions referred to a machine equipped with 405/70R20 tires. Machine height and width over tires may vary with other tires.

856C, 856C AWD EQUIPPED WITH:		FRONT & REAR COUNTERWEIGHT	FRONT BLADE & REAR COUNTERWEIGHT	FRONT COUNTERWEIGHT & REAR RIPPER	FRONT BLADE & REAR RIPPER
A Total length	mm	8592	9317	9285	10044
B Wheelbase	mm			6023	
C Rear attachment end	mm	1785		2458	
D Front attachment end	mm	809	1568	809	1568
E Tandem base	mm			1572	
F Standard cab height	mm			3330	
F' Low profile cab height	mm			3150	
G Max machine height	mm			3674	
H Width over tyres	mm	2549			2555
I Blade base	mm			2504	

Dimensions referred to a machine equipped with 17.5R25EM tires. Machine height and width over tires may vary with other tires.

HYDRAULICALLY CONTROLLED FRONT BLADE		836C - 836C AWD	856C - 856C AWD
Blade width	mm	2350	2450
Blade height	mm	765	870
Penetration depth	mm	136	174
Max. ground clearance	mm	509	547
HYDRAULICALLY CONTROLLED REAR RIPPER FOR HEAVY DUTY APPLICATIONS		836C - 836C AWD	856C - 856C AWD
Ripping width	mm	2049	2268
Ripping depth	mm	310	371
Number of shanks	n°	5	5
Interval of shanks	mm	500	555
THE MOVABLE MOLDBOARD SCARIFIER CAN BE OPERATED IN BOTH DIRECTIONS		836C - 836C AWD	856C - 856C AWD
Number of shanks	n°	4	6
Scarifying width	mm	900	1080
RIPPING TRACK DISPLACEMENT			
Left	mm	420	580
Right	mm	950	1200
Scarifying depth	mm	134	202

## STANDARD EQUIPMENT

- + **NEW** Joystick controls for comfortable and precise work and drive (on EH models only)
- + Battery main switch
- + Cab equipped with two fully swinging doors for both side access, tinted safety glasses, front and rear sunshield
- + Switchable back-up alarm
- + Radio
- + Rotating beacon
- + Caliper disc parking brake operating on transmission
- + NEF STAGE V engine with electronic management and “DualPower”
- + DOC & SCRoF exhaust gas aftertreatment
- + Cold start
- + Control levers for precise and simultaneous moldboard operations
- + Front and rear fenders
- + Front wheel spindle steering with adjustable steering column
- + Heating system
- + High grade steel moldboard with hardened rounded guides
- + Hydraulic and dual-circuit accumulator brake system operating on tandem wheels
- + Hydraulically adjustable for 90° bank slope
- + Hydrostatic front-wheel drive with E.D.C.V. Electronic Drive\*
- + Control volume and hydraulic differential \*
- + Internal gearing, sealed, backlash-free and self-adjusting slewing ring operating on 360°
- + “Load Sensing” hydraulic system with variable displacement pump
- + Moldboard cutting angle hydraulically adjustable
- + Oscillating front axle with hydraulic lean adjustment
- + Oscillating tandem axle with automatic no-spin differential
- + Powershift transmission with 6 forward and 3 reverse speeds, with integrated torque converter
- + Rear counterweight
- + Road traffic lights
- + Rops/Fops suspended cab, mounted on rear frame
- + Standard cab
- + Heated and air suspended seat
- + Creep mode “AWD” version only
- + CASE “SiteWatch”

\*Only on 836C AWD and 856C AWD

## OPTIONS

- + Air conditioning
- + Biological hydraulic oil
- + Floating valve for moldboard
- + Front lights on cab
- + Cab roof LED working lights (2 front and 2 rear)
- + 2 Cab bottom LED working lights
- + Fuel refilling pump (50 l/min)
- + Left and right moldboard side plates
- + Low profile cab
- + Overload clutch on moldboard
- + Parallel front blade
- + Rear lights on cab
- + 2 Rear LED working lights
- + 5 teeth rear ripper with protection device
- + Scarifier on moldboard
- + Right moldboard extension
- + Tow coupling
- + Rear view camera with 7” monitor
- + Blade control predisposition (Leica, Topcon, Trimble)
- + Front blade with parallel geometry and mechanical depth indicator
- + Front counterweight for 836C and 836C AWD (510 kg)
- + Front counterweight for 856C and 856C AWD (763 kg)
- + Tool box
- + Automatic lubrication system

Note: standard and optional equipment may vary by country. Consult your CASE dealer for specific details.

# BUILDING A STRONG CASE.

Since 1842, at CASE Construction Equipment we have lived by an unwavering commitment to build practical, intuitive solutions that deliver both efficiency and productivity.

We continually strive to make it easier for our customers to implement emerging technologies and new compliance mandates.

Today, our global scale combined with our local expertise enables us to keep customers' real-world challenges at the center of our product development.

The vast CASE dealers' network is always ready to support and protect your investment and exceed your expectations, while also providing you with the ultimate ownership experience.

Our goal is to build both stronger machines-and stronger communities. At the end of the day, we do what's right for our customers and our communities so that they can count on CASE.

---

**CNH Industrial**  
Deutschland GmbH  
Case Baumaschinen  
Benzstr. 1-3 - D-74076 Heilbronn  
DEUTSCHLAND

**CNH Industrial**  
Maquinaria Spain, S.A.  
Avenida Aragón 402  
28022 Madrid - ESPAÑA

**CNH Industrial France, S.A.**  
16-18 Rue des Rochettes  
91150 Morigny-Champigny  
FRANCE

**CNH Industrial Italia Spa**  
Lungo Stura Lazio 19  
10156, Torino  
ITALIA

**CASE Construction Equipment**  
Cranes Farm Rd  
Basildon - SS14 3AD  
UNITED KINGDOM

---

NOTE: Standard and optional fittings can vary according to the demands and specific regulations of each country. The illustrations may include optional rather than standard fittings - consult your Case dealer. Furthermore, CNH Industrial reserves the right to modify machine specifications without incurring any obligation relating to such changes.

Conforms to directive 2006/42/EC

**CASECE.COM**  
**00800-2273-7373**

The call is free from a land line.  
Check in advance with your Mobile Operator if you will be charged. Toll free number not available from all calling areas.

